

**WARNING**

The positioning of the logs is critical to the safe and clean operation of this heater. Sooting and other problems may result if the logs are not properly and firmly positioned in the appliance. Never add additional logs or embellishments such as pine cones, vermiculite or rock wool to the heater. Only use the logs supplied with the unit.

Failure to position the parts in accordance with diagrams below or to use only parts specifically approved for this heater may result in property damage or personal injury.

**CSVF20 / VFCS20 LOG PLACEMENT**

Figure 13

1. Install back log (#1) on back of burner assembly.
2. Install front log (#2) on 2 pegs on burner assembly.

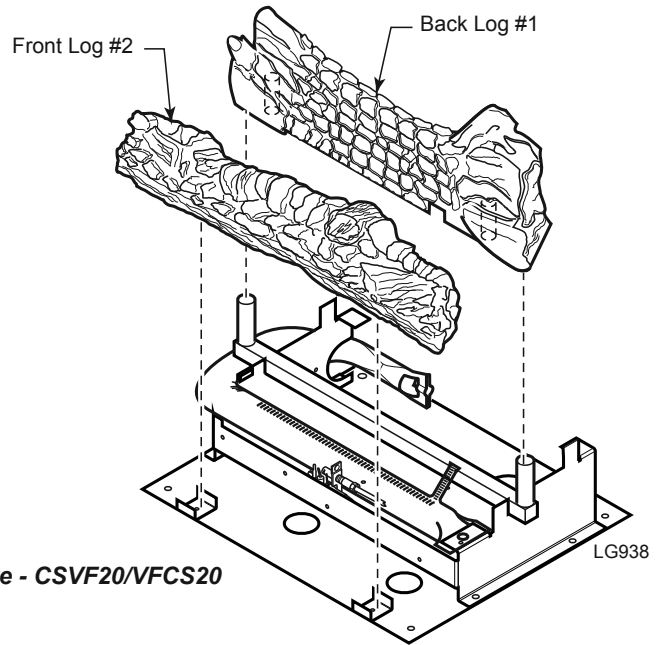


Figure 13 - Install Logs on Grate - CSVF20/VFCS20

**ROCK WOOL INSTALLATION  
CSVF30 / VFCS30 ONLY**



1. Break rock wool into dime-sized pieces.
2. Place rock evenly across rock wool tray and front burner as shown in Figure 14.
  - **Rock wool depth must not be more than 1".**
  - **Do not place rock wool past the bend in rock wool tray.**
  - **Do not place rock wool on rear burner.**

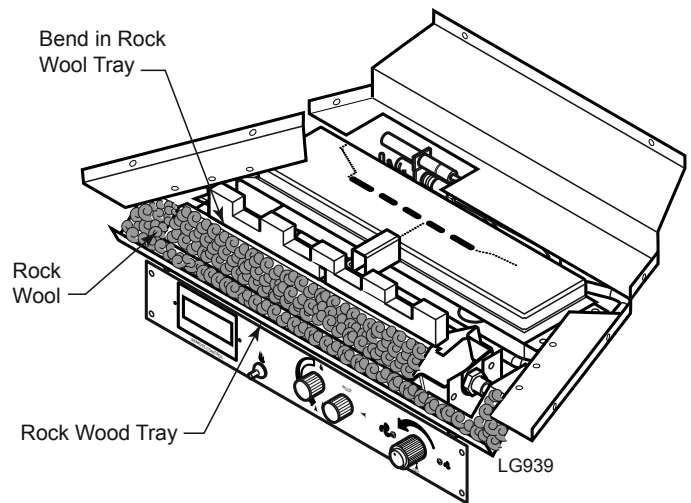


Figure 14 - Rock Wool Installation

**WARNING**

Rock wool must be placed correctly. Placing rock wool in wrong area will create high carbon monoxide.

**WARNING**

The positioning of the logs is critical to the safe and clean operation of this heater. Sooting and other problems may result if the logs are not properly and firmly positioned in the appliance. Never add additional logs or embellishments such as pine cones, vermiculite or rock wool to the heater. Only use the logs supplied with the unit.

Failure to position the parts in accordance with diagrams below or to use only parts specifically approved for this heater may result in property damage or personal injury.

**Before you begin** — This unit is supplied with four ceramic fiber logs. Do not handle these logs with your bare hands. **Always wear gloves to prevent skin irritation from ceramic fibers.** After handling the logs, wash your hands gently with soap and water to remove any traces of fibers.

**CSVF30 / VFCS30 LOG PLACEMENT**

Figure 15

1. Install back log (#1) on rear log support bracket.
2. Install left bottom log (#2) on left log support bracket in front of back log.
3. Install right bottom log (#3) on right log support bracket in front of back log.
4. Install top left log (#4) on top of left bottom log.
5. Install top right log (#5) on top of right bottom log.

**CAUTION**

During initial operation of the new heater, burning logs will give off a paper burning smell and orange flames will be present. Simply open the windows for a few hours to vent the odor.

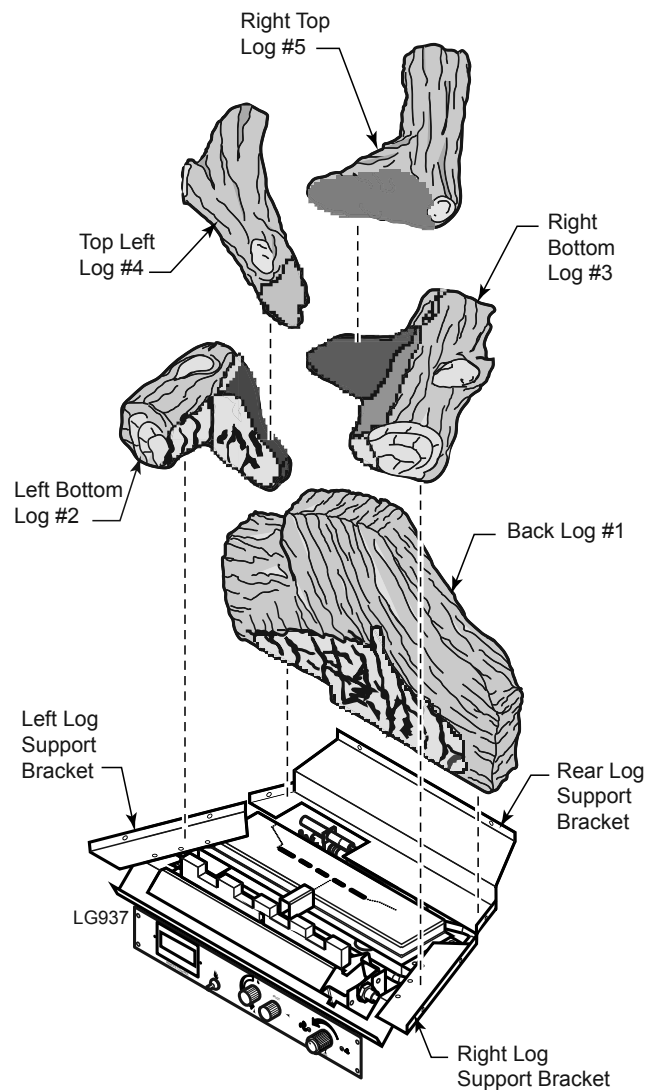


Figure 15 -  
Place Logs on Grate - CSVF30/VFSC30